

QUICK REFERENCE GUIDE



20- to 30-Ton Packaged Rooftop Units

20- to 30-Ton Packaged Rooftop Performance Data (Gas or Electric Heat)

Size(Tons)	20 Ton	25 Ton	25 Ton	30 Ton	30 Ton
Efficiency	High	High	High	High	High
Model Number	LCH / LGH 242H4V	LCH / LGH 300H4V	LCH / LGH 300H4M	LCH / LGH 360H4V	LCH / LGH 360H4M
Blower Type	VAV	VAV	MSAV	VAV	MSAV
Net Cooling Capacity (Btuh)	238,000	300,000	300,000	350,000	350,000
Cooling Stages	4	4	4	4	4
Nominal Supply Air (cfm)	6800	8100	8100	8600	8600
IEER	15.5	14.3	14.4	13.5	14.0
EER	12.3 (LGH) 12.5 (LCH)	11.6	11.6	10.6 (LGH) 10.8 (LCH)	10.6 (LGH) 10.8 (LCH)
Gas Heat Size, (kBtuh)(stages)	260 (4) 360 (4) 480 (4)	260 (4) 360 (4) 480 (4)	260 (4) 360 (4) 480 (4)	260 (4) 360 (4) 480 (4)	260 (4) 360 (4) 480 (4)
Electric Heat Size (kW)	30, 45, 60, 90, 120				
Blower Motor Size (HP)	5, 7.5, 10	5, 7.5, 10	5, 7.5, 10	5, 7.5, 10	5, 7.5, 10
Net. Weight (lbs.) G/E	3,107	3,107	3,107	3,107	3,107
Net. Weight (lbs.) E/E	2,997	2,997	2,997	2,997	2,997
Weight—Shipping (lbs.) G/E	3,317	3,317	3,317	3,317	3,317
Weight—Shipping (lbs.) E/E	3,207	3,207	3,207	3,207	3,207
Cabinet Size—H x W x L (in.)	65 x 91 x 145				
Filter (Quantity/Size)	(12) 20 x 20 x 2				
Sound (dBA)	95	95	95	95	95

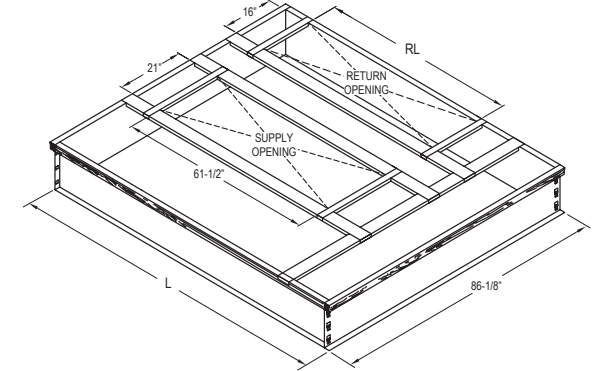
Unit MCA & MOCP Electrical Data (Standard Indoor Fan Motor)

LGH/LCH	Voltage	HP	MCA	MOCP
242H	208-230/3	7.5	99	110
	460/3	7.5	54	60
300H	575/3	7.5	38	45
	208-230/3	7.5	135	150
	460/3	7.5	64	70
360H	575/3	7.5	49	50
	208-230/3	7.5	145	150
	460/3	7.5	71	80
	575/3	7.5	54	60

Factory- and Field-Installed Options

Option	Factory	Field	Option	Factory	Field
Cooling					
Drain Pan Overflow Switch	•	•	Indoor air quality		
PVC or Copper Condensate Drain Trap	•	•	MERV 8 Filters	•	•
Stainless Steel Condensate Drain Pan	•	•	MERV 13 Filters	•	•
Blower					
Blower – Supply Air Motors	•		MERV 16 Filters		•
Blower – Supply Air Drive Kits	•		Replacement Media Filter with Metal Mesh		•
Heating					
Combustion Air Intake Extensions		•	IAQ (CO ₂) Sensors		•
Gas Heat Input	•		Electrical		
Low Temperature Vestibule Heater		•	Electrical Voltage	•	
LPG/Propane Conversion Kits		•	Disconnect Switch	•	•
Stainless Steel Heat Exchanger	•		GFI Service Outlets	•	•
Vertical Vent Extension		•	Weatherproof Cover for GFI		•
Cabinet					
Combination Coil/Hail Guards		•	Phase Monitor	•	
Corrosion Protection (indoor coil/outdoor coil)	•		Electric Heat	•	•
Controls					
CS3000, CS7500, and CS8500 Commercial Thermostats		•	SCR (Silicon Controlled Rectifier) Electric Heat Control*	•	
Blower Proving Switch	•	•	Economizer		
BACnet® Module	•	•	Economizer – Downflow or Horizontal with Barometric Relief	•	•
LonTalk® Module	•	•	Economizer Controls – Sensible	•	
Novar® LSE	•		Economizer Controls – Single Enthalpy	•	•
L Connection® Building Automation System		•	Economizer Controls – Differential Enthalpy	•	•
Dirty Filter Switch	•	•	Economizer Controls – Global Control	•	
Fresh Air Tempering	•	•	Downflow or Horizontal Barometric Relief Dampers- Hood Furnished	•	•
Smoke Detector Supply and/or Return	•	•	Outdoor air		
Supply Static Limit Switch		•	Manual Outdoor Air Dampers		•
Discharge Air Temperature Sensor	•		Motorized Outdoor Air Dampers	•	•
Power exhaust					
Humiditrol condenser reheat					
High Static with VFD					
High Static with VFD and Bypass					
Standard Static					
Humiditrol condenser reheat					
Humiditrol® Dehumidification System					
Humiditrol Sensor Kit, Remote mounted					
Roof curbs/ceiling diffusers					
Roof Curbs					
Ceiling Diffusers					

For 242-360 Models



Model No.	Length	Return Air
242 to 360	L	RL
	115-1/8	79-1/2

